

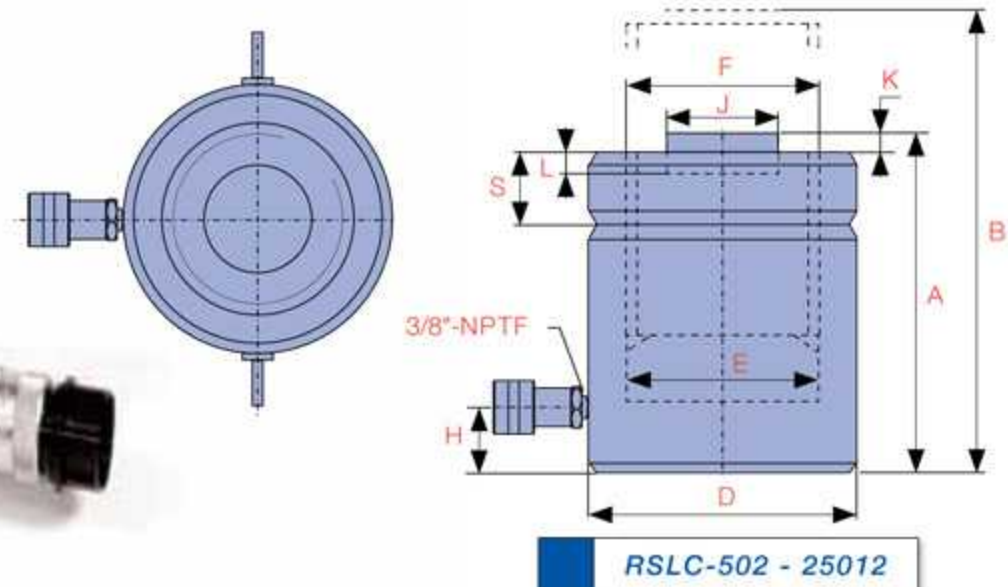
## B

### CYLINDERS



### THE RSLC-SERIES IS A SINGLE ACTING LOAD RETURN HIGH TONNAGE LOCKING COLLAR CYLINDER.

It is a design that features a threaded piston rod and lock ring. When the lock ring is screwed down and engaged with the cylinder body, the load can be held mechanically for extended periods. These cylinders are ideally suited to bridge construction and maintenance and jacking applications requiring safe extended load holding. All RSLC-Series cylinders feature a hard chrome bore for maximum corrosion resistance and a special coating on the piston rod and lock ring to resist corrosion and abrasion. Hardened removable saddles are standard and TSX tilt saddles are optional. An oil overflow port which restricts piston stroke is standard on all models.



Model Number	Cylinder Capacity ton* / kN	Stroke (mm)	Cylinder Effective Area (cm <sup>2</sup> )	Oil Capacity (cm <sup>3</sup> )	A Collapsed Height (mm)	B Extended Height (mm)	D Outside Diameter (mm)	E Cylinder Bore Diameter (mm)	**F Piston Rod Diameter (mm)	
RSLC-502	50	496	50	70.9	355	164	214	125	95.0	TR95x4
RSLC-504		496	100	70.9	708	214	314	125	95.0	TR95x4
RSLC-506		496	150	70.9	1,063	264	414	125	95.0	TR95x4
RSLC-508		496	200	70.9	1,417	314	514	125	95.0	TR95x4
RSLC-5010		496	250	70.9	1,771	364	614	125	95.0	TR95x4
RSLC-5012		496	300	70.9	2,125	414	714	125	95.0	TR95x4
RSLC-1002	100	929	50	132.7	664	187	237	165	130.0	TR130x6
RSLC-1004		929	100	132.7	1,327	237	337	165	130.0	TR130x6
RSLC-1006		929	150	132.7	1,990	287	437	165	130.0	TR130x6
RSLC-1008		929	200	132.7	2,653	337	537	165	130.0	TR130x6
RSLC-10010		929	250	132.7	3,317	387	637	165	130.0	TR130x6
RSLC-10012		929	300	132.7	3,980	437	737	165	130.0	TR130x6
RSLC-1502	150	1,390	50	198.6	993	209	259	205	159.0	TR159x6
RSLC-1504		1,390	100	198.6	1,985	259	359	205	159.0	TR159x6
RSLC-1506		1,390	150	198.6	2,977	309	459	205	159.0	TR159x6
RSLC-1508		1,390	200	198.6	3,969	359	559	205	159.0	TR159x6
RSLC-15010		1,390	250	198.6	4,961	409	659	205	159.0	TR159x6
RSLC-15012		1,390	300	198.6	5,954	459	759	205	159.0	TR159x6

\* Nominal Cylinder Capacity in ton - see kN values for actual capacity

\*\* TR is a metric trapezoidal thread

**LOW FRICTION COATING**

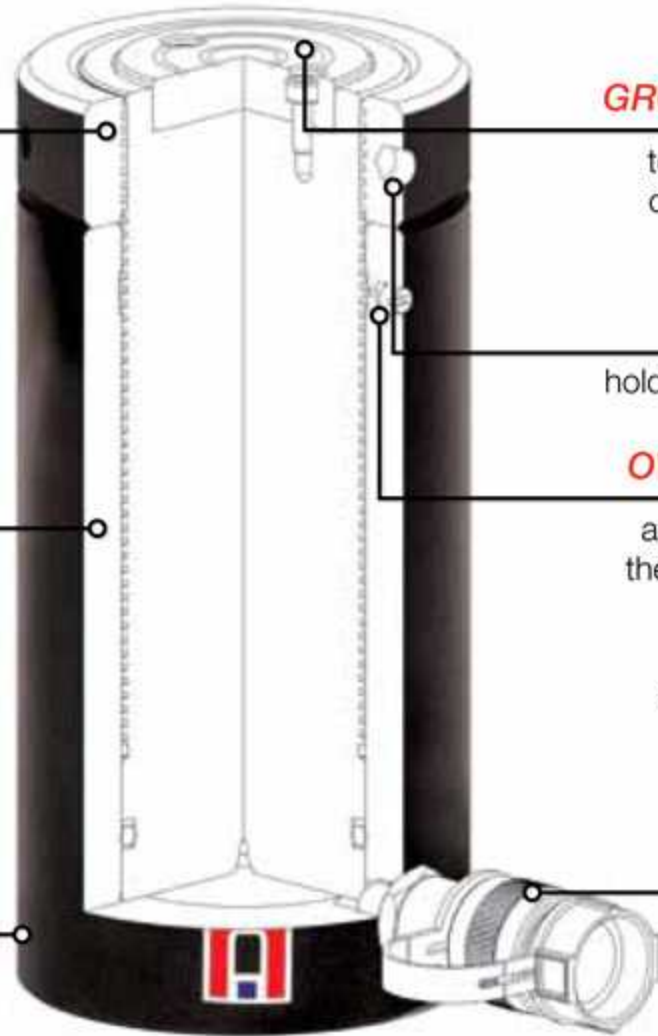
on piston rod and lock nut enhances corrosion resistance

**HARD CHROME PLATED BORE**

for maximum corrosion resistance and cylinder life

**POWDER COATED FINISH**

enhances appearance and reduces corrosion



**HARDENED GROOVED SADDLE**

to prevent piston rod damage. Optional tilt saddles available

**LOCK RING**

holds load mechanically

**OVERFLOW PORT**

and warning mark on the piston rod ensures cylinder is not over extended. Optional gland nuts available

**PARKER**

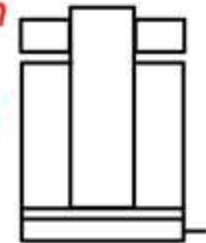
industry standard high flow coupling for compatibility



CAPACITY  
**50 - 1,000 ton**

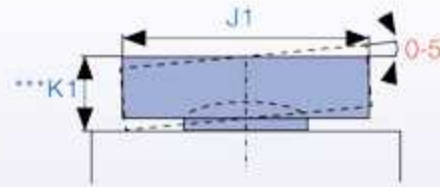
STROKE  
**50 - 300 mm**

MAXIMUM OPERATING PRESSURE  
**700 bar**



**Did you know...**

Durapac offer RDLC-Series double acting locking collar cylinders for extended mechanical load holding applications with controlled lowering. Contact Durapac for full details.



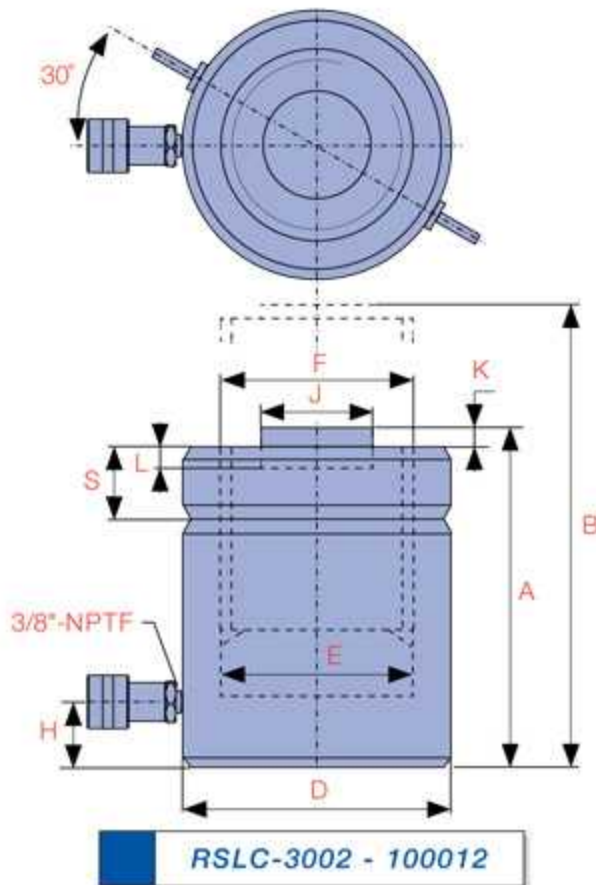
H Base to Advance Port (mm)	J Standard Saddle Diameter (mm)	K Saddle Protrusion from Piston Rod (mm)	L Depth of Piston Rod Hole (mm)	S Lock Ring Height (mm)	Weight (kg)	Optional Tilt Saddle			Model Number	Handle Type
						Model Number	J1 Diameter (mm)	***K1 Height (mm)		
30	71	2	13	36	15.0	TSX-100	71	24	RSLC-502	◆
30	71	2	13	36	20.0	TSX-100	71	24	RSLC-504	◆
30	71	2	13	36	25.0	TSX-100	71	24	RSLC-506	◆
30	71	2	13	36	30.0	TSX-100	71	24	RSLC-508	◆
30	71	2	13	36	35.0	TSX-100	71	24	RSLC-5010	◆
30	71	2	13	36	40.0	TSX-100	71	24	RSLC-5012	◆
30	71	2	13	44	30.0	TSX-100	71	24	RSLC-1002	◆
30	71	2	13	44	39.0	TSX-100	71	24	RSLC-1004	◆
30	71	2	13	44	48.0	TSX-100	71	24	RSLC-1006	◆
30	71	2	13	44	56.0	TSX-100	71	24	RSLC-1008	◆
30	71	2	13	44	64.0	TSX-100	71	24	RSLC-10010	◆
30	71	2	13	44	73.0	TSX-100	71	24	RSLC-10012	◆
39	130	2	25	44	53.0	TSX-200	130	20	RSLC-1502	◆
39	130	2	25	44	66.0	TSX-200	130	20	RSLC-1504	◆
39	130	2	25	44	78.0	TSX-200	130	20	RSLC-1506	◆
39	130	2	25	44	92.0	TSX-200	130	20	RSLC-1508	◆
39	130	2	25	44	104.0	TSX-200	130	20	RSLC-15010	◆
39	130	2	25	44	117.0	TSX-200	130	20	RSLC-15012	◆

HANDLE TYPES: ♠ WELDED ◆ EYEBOLT ♥ REMOVABLE STRAP HANDLE ♠ THREAD

\*\*\* Total cylinder collapsed height with optional tilt saddle equals ( dim.A - dim.K + dim.K1 )

## B

### CYLINDERS



### Did you know...

**RPLC-Series** pancake locking collar cylinders are perfect for applications that require sustained load holding in a compact low height package.



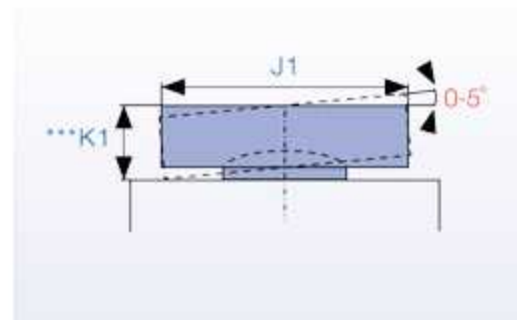
Model Number	Cylinder Capacity ton* / kN	Stroke (mm)	Cylinder Effective Area (cm <sup>2</sup> )	Oil Capacity (cm <sup>3</sup> )	A Collapsed Height (mm)	B Extended Height (mm)	D Outside Diameter (mm)	E Cylinder Bore Diameter (mm)	**F Piston Rod Diameter (mm)	
RSLC-2002	200	1,859	50	265.6	1,330	243	293	235	184.0	TR184x6
RSLC-2006		1,859	150	265.6	3,987	343	493	235	184.0	TR184x6
RSLC-20012		1,859	300	265.6	7,973	493	793	235	184.0	TR184x6
RSLC-2502	250	2,562	50	366.1	1,833	249	299	275	216.0	TR216x6
RSLC-2506		2,562	150	366.1	5,494	349	499	275	216.0	TR216x6
RSLC-25012		2,562	300	366.1	10,987	499	799	275	216.0	TR216x6
RSLC-3002	300	3,193	50	456.2	2,282	295	345	310	241.0	TR241x6
RSLC-3006		3,193	150	456.2	6,844	395	545	310	241.0	TR241x6
RSLC-30012		3,193	300	456.2	13,678	545	845	310	241.0	TR241x6
RSLC-4002	400	3,919	50	559.9	2,798	335	385	350	267.0	TR266x6
RSLC-4006		3,919	150	559.9	8,394	435	585	350	267.0	TR266x6
RSLC-40012		3,919	300	559.9	16,789	585	885	350	267.0	TR266x6
RSLC-5002	500	5,118	50	731.1	3,651	375	425	400	305.0	TR305x6
RSLC-5006		5,118	150	731.1	10,954	475	625	400	305.0	TR305x6
RSLC-50012		5,118	300	731.1	21,907	625	925	400	305.0	TR305x6
RSLC-6002	600	5,983	50	854.8	4,274	395	445	430	330.0	TR330x6
RSLC-6006		5,983	150	854.8	12,823	495	645	430	330.0	TR330x6
RSLC-60012		5,983	300	854.8	25,646	645	945	430	330.0	TR330x6
RSLC-8002	800	8,238	50	1176.9	5,878	455	505	505	387.0	TR387x6
RSLC-8006		8,238	150	1176.9	17,635	555	705	505	387.0	TR387x6
RSLC-80012		8,238	300	1176.9	35,271	705	1005	505	387.0	TR387x6
RSLC-10002	1000	10,260	50	1466.4	7,325	495	545	560	432.0	TR432x6
RSLC-10006		10,260	150	1466.4	21,975	595	745	560	432.0	TR432x6
RSLC-100012		10,260	300	1466.4	43,950	745	1045	560	432.0	TR432x6

\* Nominal Cylinder Capacity in ton - see kN values for actual capacity

\*\* TR is a metric trapezoidal thread

### Did you know...

Durapac offers a wide range of pump options: electric / air / petrol / diesel / manual



H Base to Advance Port (mm)	J Standard Saddle Diameter (mm)	K Saddle Protrusion from Piston Rod (mm)	L Depth of Piston Rod Hole (mm)	S Lock Ring Height (mm)	Weight (kg)	Optional Tilt Saddle			Model Number	Handle Type
						Model Number	J1 Diameter (mm)	***K1 Height (mm)		
50	130	2	25	50	83	TSX-200	130	20	RSLC-2002	◆
50	130	2	25	50	117	TSX-200	130	20	RSLC-2006	◆
50	130	2	25	50	170	TSX-200	130	20	RSLC-20012	◆
50	150	2	25	56	116	TSX-250	150	21	RSLC-2502	◆
50	150	2	25	56	162	TSX-250	150	21	RSLC-2506	◆
50	150	2	25	56	234	TSX-250	150	21	RSLC-25012	◆
59	139	5	25	60	173	TSX-300	195	75	RSLC-3002	◆
59	139	5	25	60	233	TSX-300	195	75	RSLC-3006	◆
59	139	5	25	60	323	TSX-300	195	75	RSLC-30012	◆
70	159	5	25	70	250	TSX-400	225	85	RSLC-4002	◆
70	159	5	25	70	327	TSX-400	225	85	RSLC-4006	◆
70	159	5	25	70	441	TSX-400	225	85	RSLC-40012	◆
80	179	5	25	80	367	TSX-500	250	91	RSLC-5002	◆
80	179	5	25	80	466	TSX-500	250	91	RSLC-5006	◆
80	179	5	25	80	617	TSX-500	250	91	RSLC-50012	◆
85	194	5	25	85	446	TSX-600	275	96	RSLC-6002	◆
85	194	5	25	85	562	TSX-600	275	96	RSLC-6006	◆
85	194	5	25	85	737	TSX-600	275	96	RSLC-60012	◆
100	224	5	25	100	709	TSX-800	320	123	RSLC-8002	◆
100	224	5	25	100	870	TSX-800	320	123	RSLC-8006	◆
100	224	5	25	100	1,110	TSX-800	320	123	RSLC-80012	◆
110	249	5	25	110	949	TSX-1000	360	136	RSLC-10002	◆
110	249	5	25	110	1,141	TSX-1000	360	136	RSLC-10006	◆
110	249	5	25	110	1,430	TSX-1000	360	136	RSLC-100012	◆

HANDLE TYPES: ♣ WELDED ◆ EYEBOLT ♥ REMOVABLE STRAP HANDLE ♠ THREAD

\*\*\* Total cylinder collapsed height with optional tilt saddle equals ( dim.A - dim.K + dim.K1 )